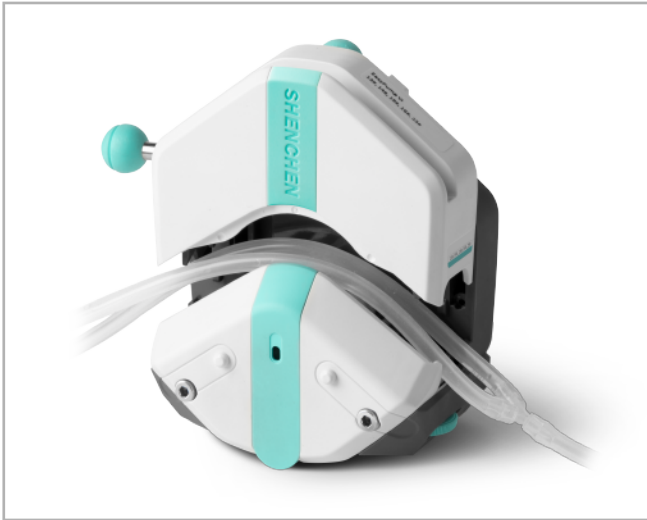




# Quick Load Pump Head

Model No. : EasyPump-Y

Flow Rate: 0.0062-1099.38mL/min



## Product Features

- Low pulsation, high precision pump head,
- 2 sets of 4 rollers,
- Rollers material: 304 stainless steel.

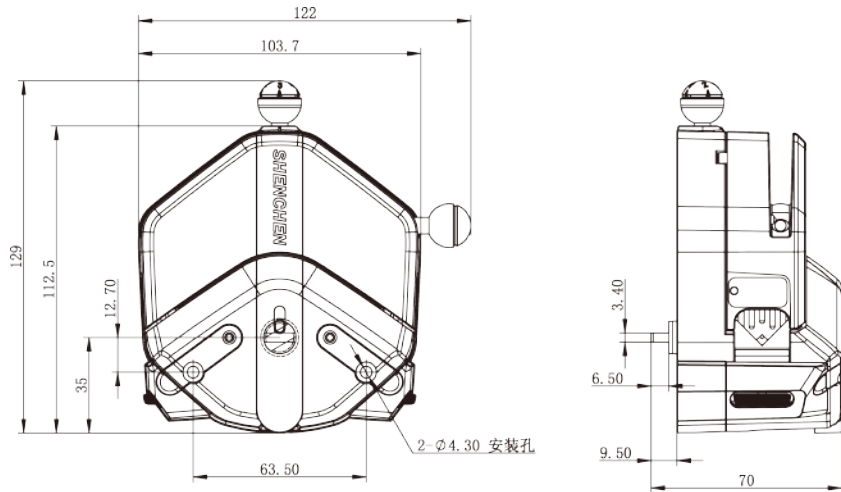
## Technical Specifications

Pump Head	Tubing	ID×Wall thickness(mm)	mL/r	Flow Rate(mL/min) (0.1-600rpm)	Pressure(Mpa)		Weight(kg)
					Continuous	Intermittent	
EasyPump-Y (2*4 rollers)	0.5*1.6(PharMed BPT)	0.5*1.6	0.062	0.0062~37.32	0.27	0.17	0.61
	13#	0.8*1.6	0.140	0.0140~84.16			
	14#	1.6*1.6	0.495	0.0495~297.22			
	19#	2.4*1.6	1.139	0.1139~683.56			
	16#	3.1*1.6	1.832	0.1832~1099.38			



Dimension Drawing (Unit:mm)

EasyPump Pressure Adjustable



EasyPump Fixed Pressure

