

Dispensing Peristaltic Pump

3 years warranty

304
SS Housing



Features

- Suitable for large flow rate, high efficiency, high precision filling.
- Servo motor drive, accurate control, strong driving force.
- 304 stainless steel drive housing can support the filling line.
- New flow rate mode, can be used for continuous transferring.

Model Number

- F6-3L/DZ25-3L
- F6-6L/DZ25-6L
- F6-12L/YZ35

Technical Specifications

Flow rate range	F6-3L: 2.11~3600 mL/min F6-6L: 3.0~6000 mL/min F6-12L: 0.0069~12 L/min	Control method	Touch screen and Mechanical keypad
Speed range	1-600 rpm	Keypad lifetime	300,000 times
Speed resolution	0.01 rpm	Start/stop, direction signal	Passive switch signal, such as foot pedal switch Active switch signal: 5V, 12V and 24V for option
Dispensing volume range	0.1-9999.99 mL	Output interface	Output motor working status (Open-Collector output)
Dispensing volume resolution	0.01 mL	Communication interface	RS232, RS485 support Modbus protocol (RTU mode)
Dispensing time	0.1-9999.99 s	Power supply	AC 220V±10% 50Hz/60Hz (Standard) AC 110V±10% 50Hz/60Hz (Optional)
Pause time	0.1-9999.99 s	Drive dimension	F6-3L: 223×152×231mm F6-6L: 283×192×274mm F6-12L: 302×222×331mm
Time resolution	0.01 s	Drive weight	F6-3L: 5.02kg; F6-6L: 7.85kg; F6-12L: 13.14kg;
Copy numbers	1-9999 times, setting '0' means unlimited	Power consumption	F6-3L: < 80W ; F6-6L: < 180W ; F6-12L: < 300W
Back suction angle	0-360°	Condition temperature	0-40°C
Outlet pressure	0.3 Mpa	Relative humidity	< 80%
Dispensing accuracy	<±0.5%	IP rate	IP31
Motor type	Servo motor		
Display	Industrial grade 4.3" color LCD display		

Product Composition and Flow Rate Range

Drive	Motor Type	Pump Head	Tubing Size	Speed Range(rpm)	Flow Rate(mL/min)
F6-3L	Servo Motor	DZ25-3L	15#, 24#, 35#, 36#	1-600	2.11~3600
F6-6L		DZ25-6L	15#, 24#, 35#, 36#		3.0~6000
F6-12L		YZ35	26#, 73#, 82#		6.9~12000



LabF6/F6 Filling Volume Reference Parameter(Media is water)

Drive	Pump Head	Tubing	Filling Volume (mL)	Filling Time(s)	Filling Accuracy (±%)	Output(pcs/min)	Motor Speed(rpm)
LabF6/F6	YZ1515x YZ2515x	13 [#]	0.1	0.5	±5ul	40	204.083
		13 [#]	0.3	0.7	1.5	35	426.251
		13 [#]	0.5	1	0.8	30	516.081
		13 [#]	1	2	0.5	20	517.152
		14 [#]	2	1	1	30	446.724
		14 [#]	3	1.5	0.8	24	446.479
		19 [#]	5	1.2	1	27	454.919
		16 [#]	7	1	0.5	30	457.705
		25 [#] /15 [#]	10	1	1	30	303.426
		25 [#] /15 [#]	15	1	0.8	30	461.273
		25 [#] /15 [#]	20	1.2	0.5	27	518.945
		17 [#] /24 [#]	30	1.2	0.8	27	462.725
		17 [#] /24 [#]	50	2	0.5	20	461.595
		18 [#]	80	2.5	0.5	17	427.274
		18 [#]	100	3	0.5	15	446.583
F6-3L	DZ25-3L	15 [#]	16	1	0.5	30	443.540
		24 [#]	30	1.2	1.0	27	454.877
		35 [#]	150	4	0.6	12	447.940
		36 [#]	200	4	0.6	12	481.802
F6-6L	DZ25-6L	15 [#]	80	4	0.4	12	396.800
		24 [#]	150	4	0.4	12	440.700
		35 [#]	200	3.2	0.5	14	439.540
		36 [#]	300	3.5	0.5	13	473.208
F6-12L	YZ35	26 [#]	150	3	0.5	15	423.254
		73 [#]	300	3	0.5	15	457.805
		82 [#]	500	3	0.5	15	458.451

F6 Series Filling Accuracy Reference Parameter(Media is water)

Drive	Pump Head	Tubing	Filling Volume	Filling Time	Actual Filling Volume(mL)										Filling Accuracy	
F6-3L	DZ25-3L	15 [#]	16mL	1s	15.97	15.97	16.00	16.06	15.97	15.92	15.96	16.02	16.01	15.97	-0.50%	0.50%
					15.98	16.00	16.04	16.08	15.92	15.95	16.01	16.01	15.97	15.97		
		24 [#]	30mL	1.2s	29.98	30.12	30.20	30.29	30.06	29.94	30.11	30.18	30.02	29.99	-0.20%	1.00%
					30.23	30.24	30.12	29.99	30.12	30.23	30.20	30.30	30.19	30.11		
35 [#]	150mL	4s	149.50	149.50	150.10	150.00	149.80	149.00	149.70	149.50	150.10	149.60	-0.15%	0.60%		
			149.00	149.90	149.70	149.10	149.50	150.00	150.10	150.10	149.60	149.40				
36 [#]	200mL	4s	199.70	200.30	200.10	200.30	200.00	200.00	200.70	200.80	200.70	200.40	-0.67%	0.07%		
			200.30	200.00	200.30	200.80	200.90	200.70	200.80	200.40	200.50	200.20				
F6-6L	DZ25-6L	15 [#]	80mL	4s	80.2	80.0	80.3	80.2	80.1	80.1	80.2	80.1	80.2	80.1	-0.125%	0.375%
					80.1	79.9	80.1	79.9	80.0	80.1	19.9	80.1	80.1	80.0		
		24 [#]	150mL	4s	149.9	150.2	150.0	150.1	150.0	150.3	150.0	150.1	150.3	150.0	-0.067%	0.200%
					149.9	150.1	150.0	150.0	150.1	150.0	150.1	149.9	150.2	150.2		
		35 [#]	200mL	3.5s	199.7	199.9	200.2	200.2	200.2	199.6	199.8	199.8	200.1	199.9	-0.400%	0.100%
					199.5	199.2	199.5	199.9	199.5	199.3	199.8	199.3	199.6	199.9		
		36 [#]	300mL	3.5s	300.4	300.1	300.3	300.3	300.4	300.1	300.3	300.4	300.6	300.2	-0.167%	0.200%
					300.2	300.0	300.1	300.2	300.2	299.9	299.5	300.5	300.5	300.6		
F6-12L	YZ35	26 [#]	150mL	3s	149.3	150.3	149.6	150.2	150.5	150.1	150.5	150.1	150.5	150.0	-0.47%	0.33%
					150.4	149.9	150.4	150.0	150.3	149.8	150.3	149.9	150.4	150.0		
		73 [#]	300mL	3s	299.9	299.8	300.0	300.1	300.4	300.2	300.4	300.4	300.6	300.5	-0.07%	0.27%
					300.8	300.6	300.5	300.5	300.5	300.6	300.7	300.5	300.6	300.6		
		82 [#]	500mL	3s	500.0	497.8	499.7	498.3	498.4	499.5	498.2	499.7	499.2	498.4	-0.44%	0.38%
					499.5	498.3	501.5	501.9	500.0	501.8	501.1	500.5	501.6	499.6		



Fast Load Pump Head

DZ25-3L, DZ25-6L



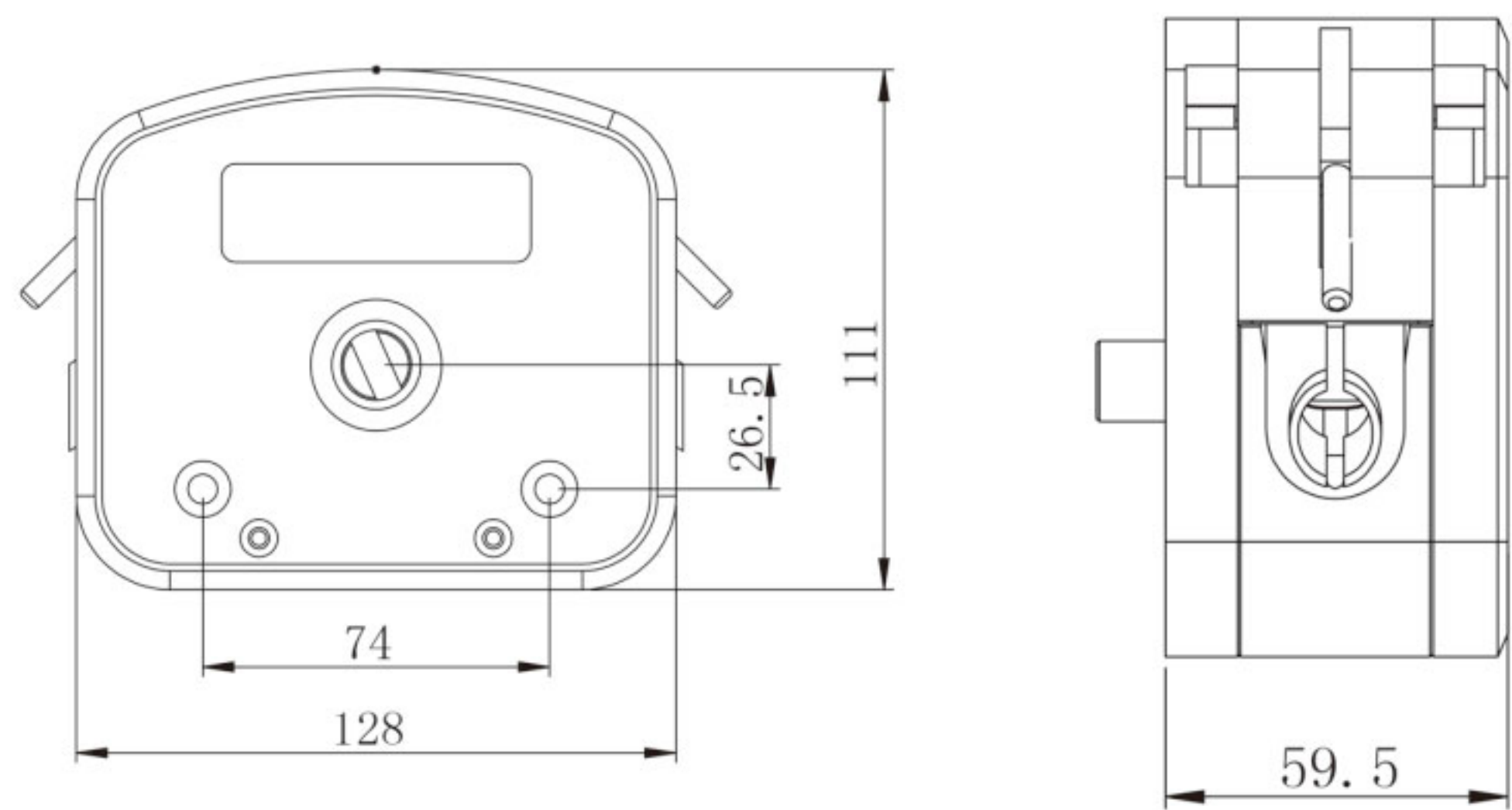
Product Introduction

Easy operation, change tube rapidly. The house material is PPS (polyphenylene sulfite). 304 stainless steel rollers. DZ25 pump head use 2.4mm wall thickness tube, the flow rate range is 0.211-6000mL/min. This pump head is suitable for high viscous liquid which include granule and floc. It also suitable for high pressure request. New cartridge structure design, can use the special connector, connect low cost tubing outside the pump head to save cost; also can use flexible tube clamp, meet hygiene requirement.

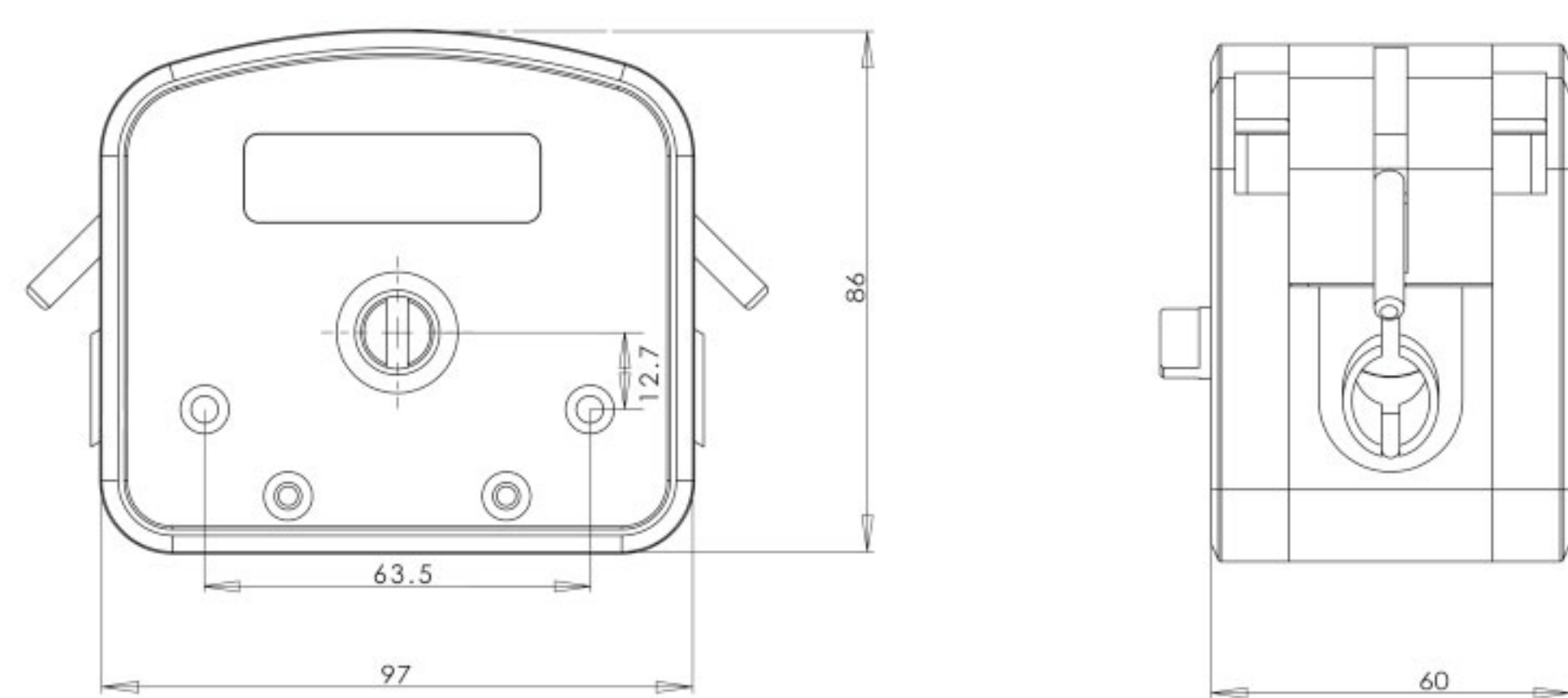
Model Number

DZ25-3L, DZ25-6L(Aluminum Alloy)/(PPS)

Dimension Drawing (Unit: mm)



DZ25-6L Dimension



DZ25-3L Dimension

Tubing Installation Procedure

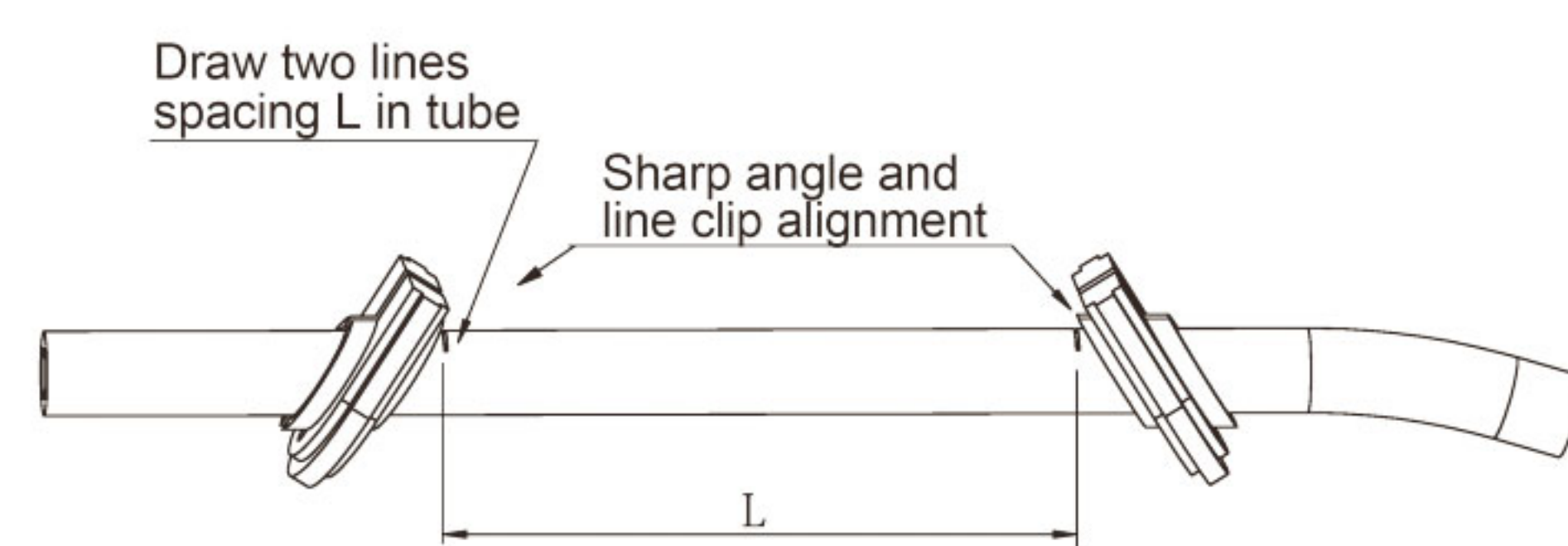
1. Lift both side levers, take off the upper block.



2. Put the tubing with cartridge or connector into pump housing.



3. Install the upper block, put down the levers to lock the block.



Tubing Clamp

DZ25-6L: the tubing length is 125mm between both tubing clamps.
DZ25-3L: the tubing length is 90mm between both tubing clamps.

Technical Specifications

Model No.	Housing Material	Tubing Clamp Material	Tubing		Flow Rate (mL/min) (0.1-600rpm)	Weight (kg)
			Tubing Sizes	ID x Wall Thickness		
DZ25-6L	Aluminum alloy/PPS	PP	15#	4.8 x 2.4(mm)	0.3~1800	1.86/0.86
			24#	6.4 x 2.4(mm)	0.55~3300	
			35#	7.9 x 2.4(mm)	0.8~4800	
			36#	9.6 x 2.4(mm)	1~6000	
DZ25-3L	PPS	PP	15#	4.8 x 2.4(mm)	0.211~1264	0.5
			24#	6.4 x 2.4(mm)	0.385~2310	
			35#	7.9 x 2.4(mm)	0.508~3050	
			36#	9.6 x 2.4(mm)	0.6~3600	



Easy Load Pump Head

YZ35-PPS, YZ35(Aluminum Alloy)



Model Number

| YZ35-PPS, YZ35(Aluminum Alloy)

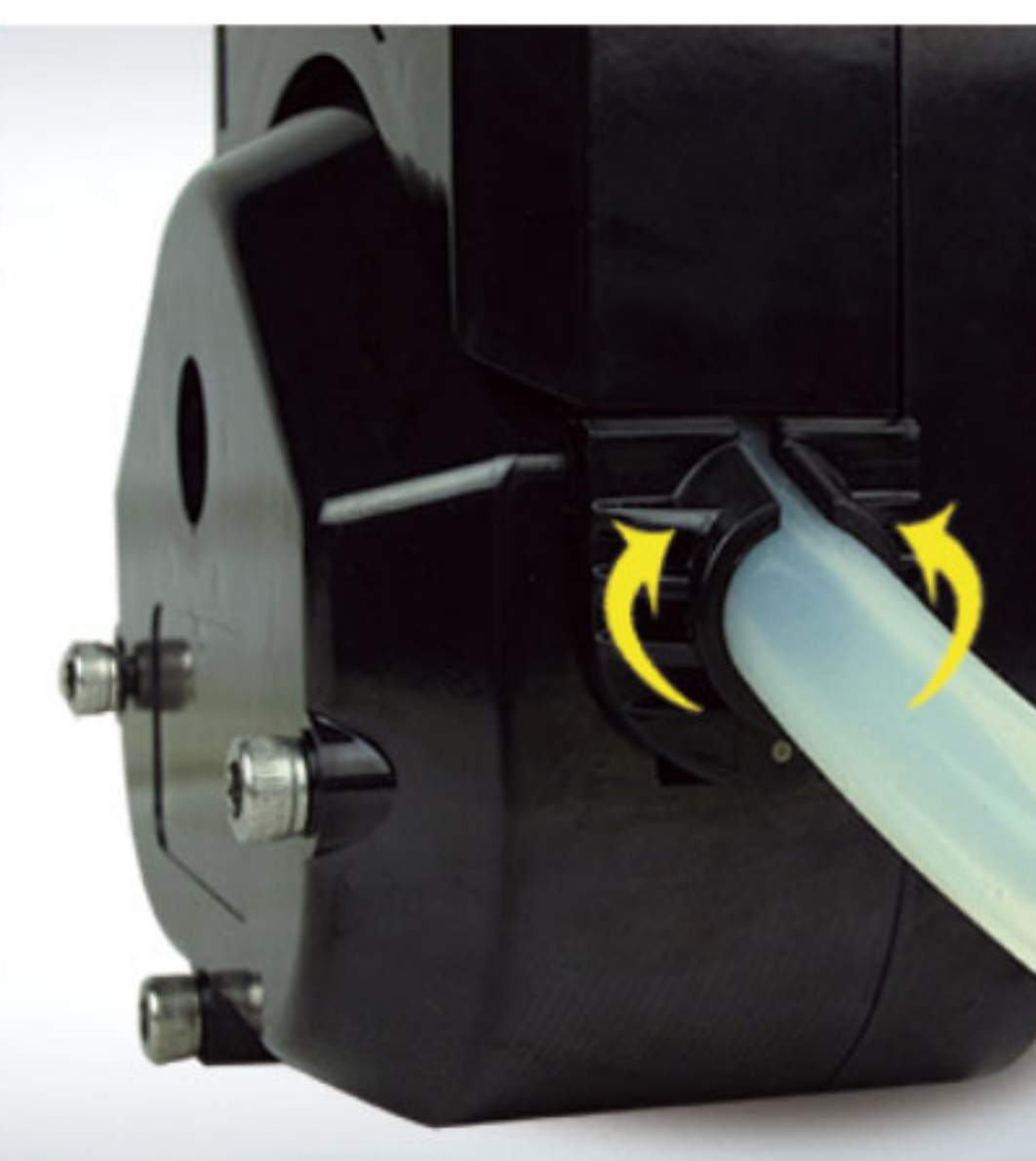


Product Introduction

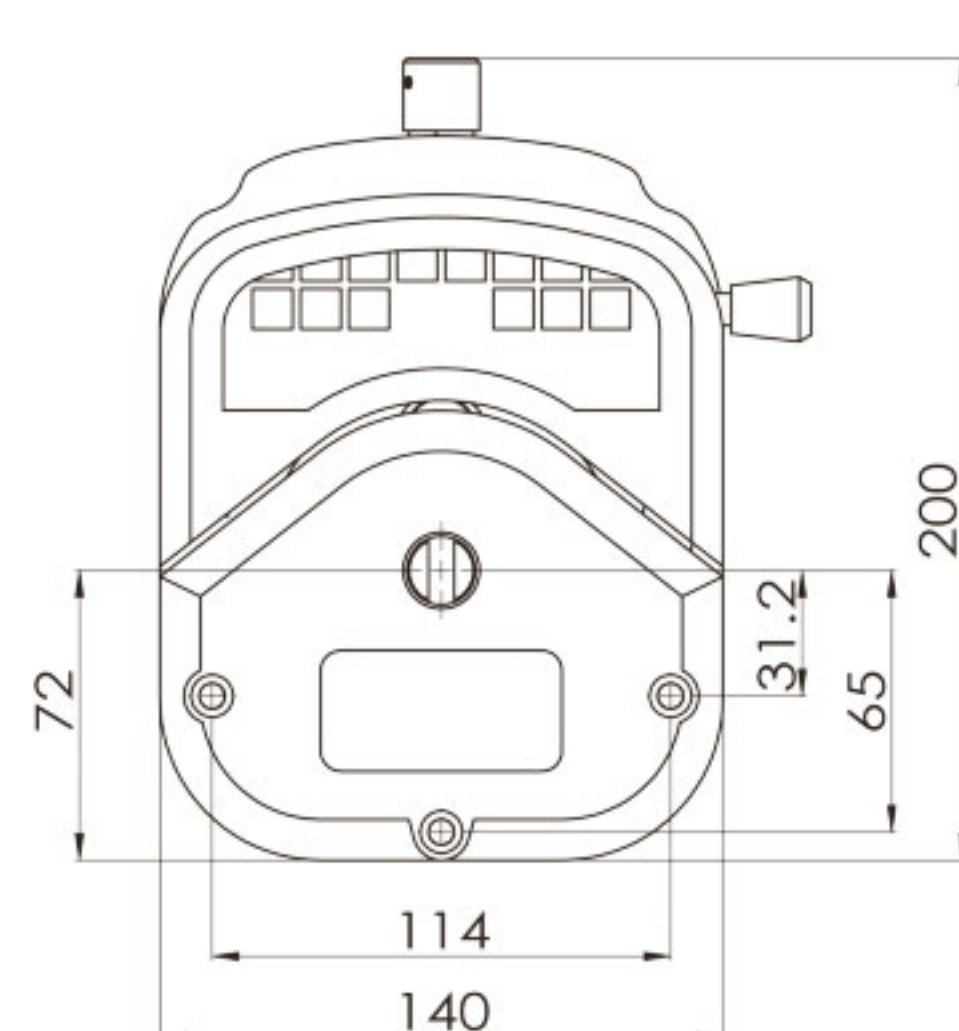
YZ35 pump head with aluminum alloy or PPS housing material. 304 stainless steel rollers assembly achieve high precision transferring liquid. Adaptive tubing cartridge structure makes it more easy to load the tubing.

YZ35 Pump Head Tubing Holder Advantages

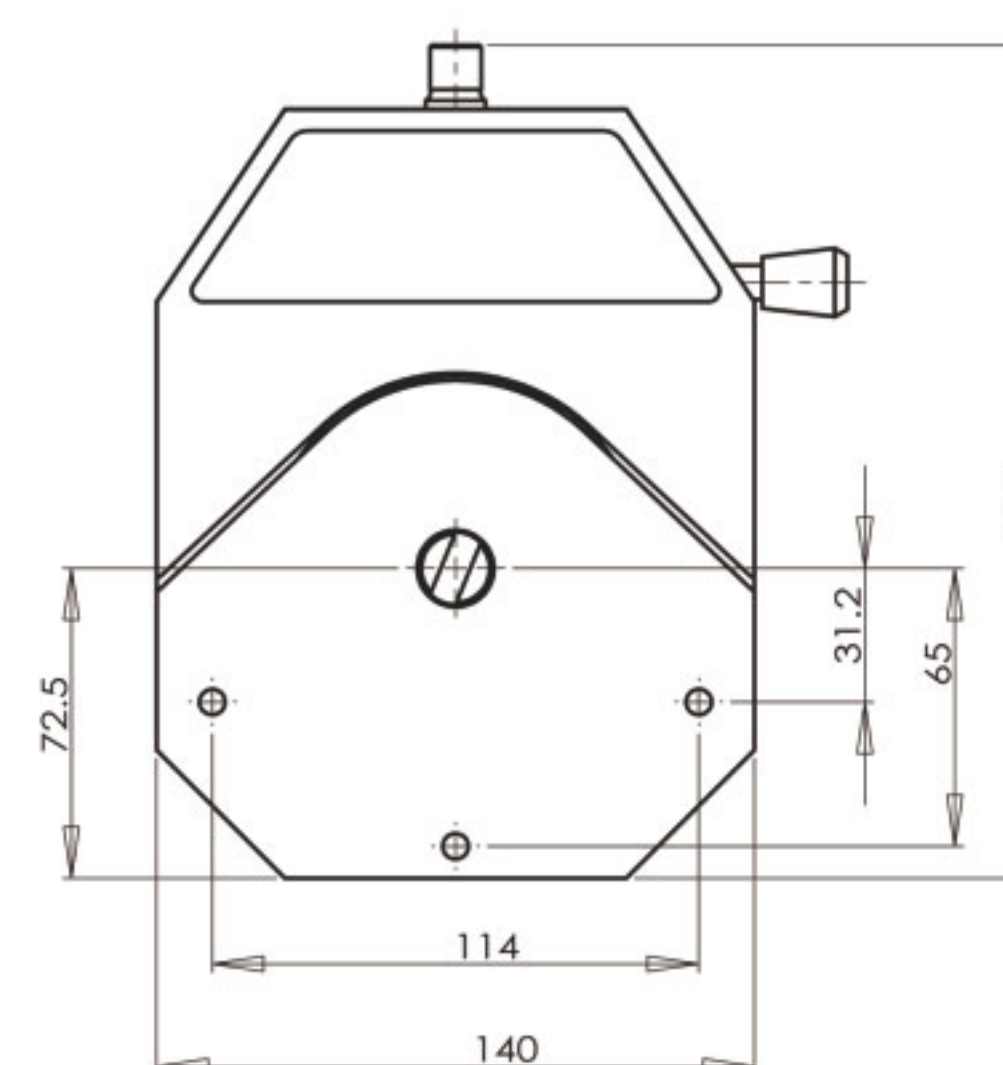
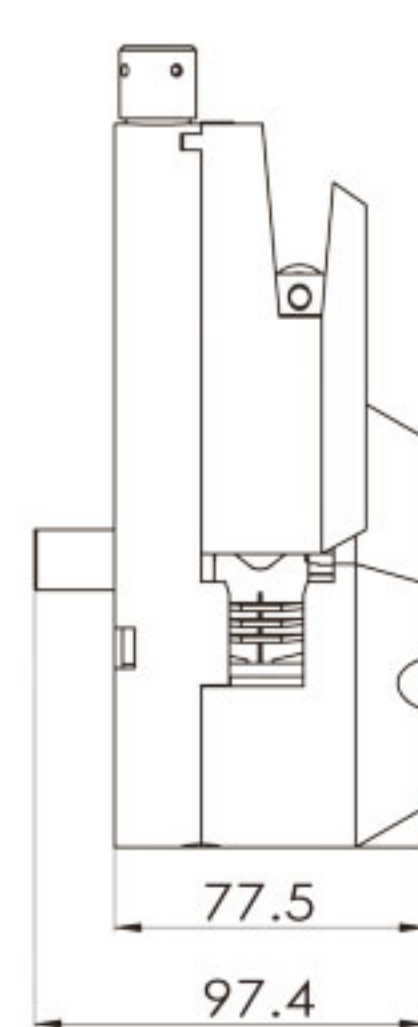
- 01/ Fix the tubing; lower the tubing shaking during working; **improve the stability and accuracy of flow rate.**
- 02/ Prevent the tubing wear, **extend the tubing lifetime.**



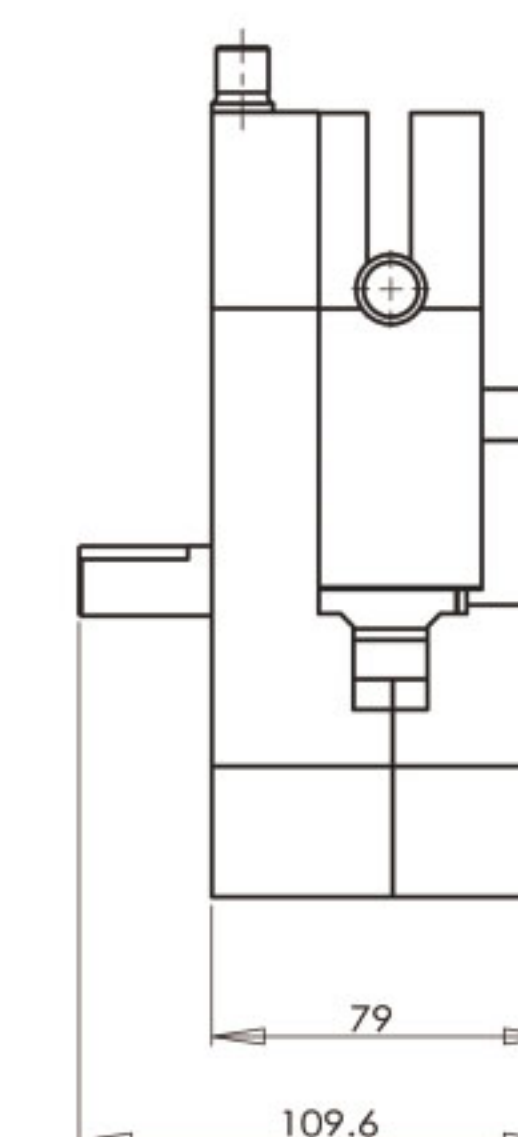
Dimension Drawing (Unit: mm)



YZ35-PPS



YZ35-Aluminum Alloy



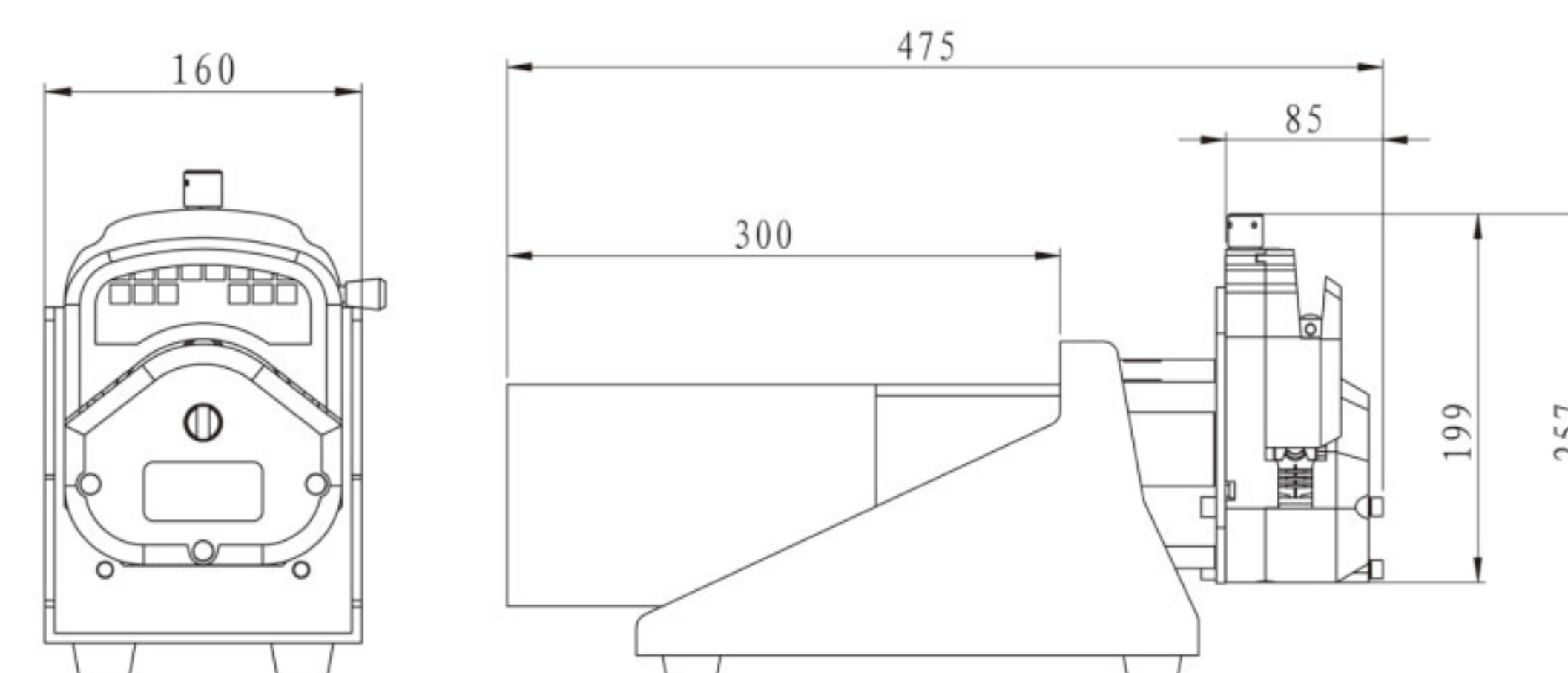
OEM-J24 Series/YZ35



Product Introduction

OEM-J24 use AC gear motor drive, YZ35 pump head is very easy to install tubing. Suitable for laboratory sampling, filling, ultrafiltration, big flow rate pumping and cement additives. It can be used separately, also can combine with other equipment.

Dimension Drawing (Unit: mm)



Technical Specifications

Pump Head	Tubing	ID×Wall Thickness(mm)	mL / r	Flow Rate(mL/min) (0-600rpm)	Power Supply	Motor Type	Material/Weight(kg)	
							Aluminum Alloy	PPS
YZ35	26#	6.4×3.3	6.9	<4200	Three phase 220V/380V for option	AC motor with fixed speed or adjustable speed	4.36	1.50
	73#	9.6×3.3	12.3	<7400				
	82#	12.7×3.3	20	<12000				

