

LabMate

Multi-channel Peristaltic Pump with Independent Channel Control



Features

- Independent channels: Each channel is completely independent, you can select different modes, tubing and set volume, speed, time etc. separately.
- Working mode: Flow rate Mode, Volume/Time Mode, Volume/Rate Mode, Time/Flow Rate Mode
- Channel off: Any channel can be disabled through the interface, and this channel cannot be set and configured after being disabled.
- Touch screen: User-friendly 5" high-definition touch screen.
- Calibration: Each-channel can be calibrated independently, and the calibration parameters are stored separately.
- On-line adjustment: Speed and flow rate can be adjusted during work.
- Prompt function: Real-time display of the maximum flow and speed available for different size of tubing. Dynamic display the parameters for each channel.
- Ext. control on/off: External level signals (5-24V) or contact signals to control start/stop of each channel.
- Communication control: RS485/USB is for option. Touch to set address and baud rate.
- Status output: Each channel independently output status of start/stop and direction.
- Pump head cartridge material: POM
- Pump head roller quantity: 10 rollers

Technical Parameters

- Motor speed: 0.01 - 150rpm
- Speed resolution: 0.01rpm
- Compatible Tubing: ID ≤3.17mm, Wall thickness:0.76~1mm
- Flow rate per channel: 0.032ml/min ~ 48ml/min
- Filling Volume Range: 0.1µl ~ 9999.999L
- Timing Range: 0.1s ~999.9hr
- Cycles: 0 ~65535, "0" is for infinite loop
- Back-suction angle: 0~65535°
- Dimensions (mm): 252.5*126*165
- Power supply: AC90-264V 50/60 Hz
- Working environment: Temperature: 0-40°C, Humidity 20-80% RH non-condensing
- IP-rate: IP31

Reference flow rate (measured with water)

Tubing dimensions Inner Diameter * Wall Thickness (mm)	0.5*0.8	1*1	2*1	3*1
Flow rate (ml/min)	0.0013~2	0.006~9	0.022~33	0.032~48

Pump Drive Models

LabMate2

2 independent channels with 10 rollers, including cartridges.

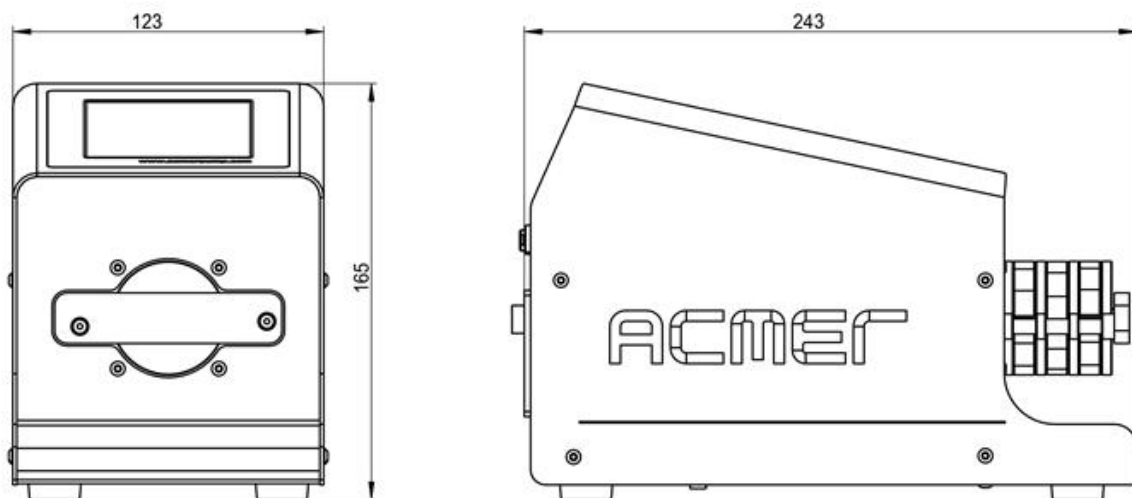
LabMate3

3 independent channels with 10 rollers, including cartridges.

LabMate4

4 independent channels with 10 rollers, including cartridges.

Dimensions (mm)



Connections on the back

