

Compact Peristaltic Pump

3 years warranty

LabS3



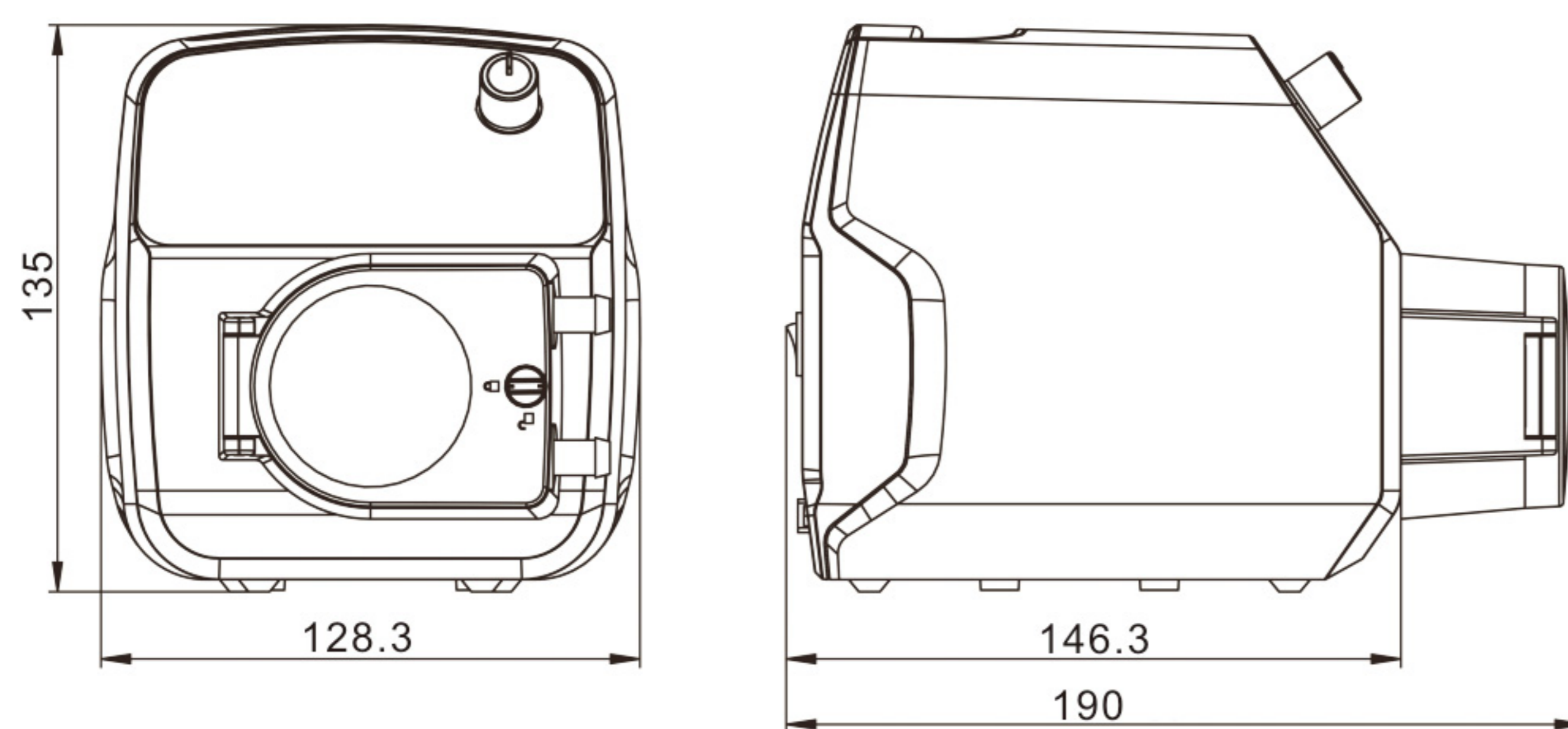
Product Introduction

- | ABS engineering plastic housing, anti-corrosion, anti-static.
- | OLED screen display motor speed, digital knob control speed.
- | Compact design, various external control.
- | Easy to observe the pump head and tubing working situation.

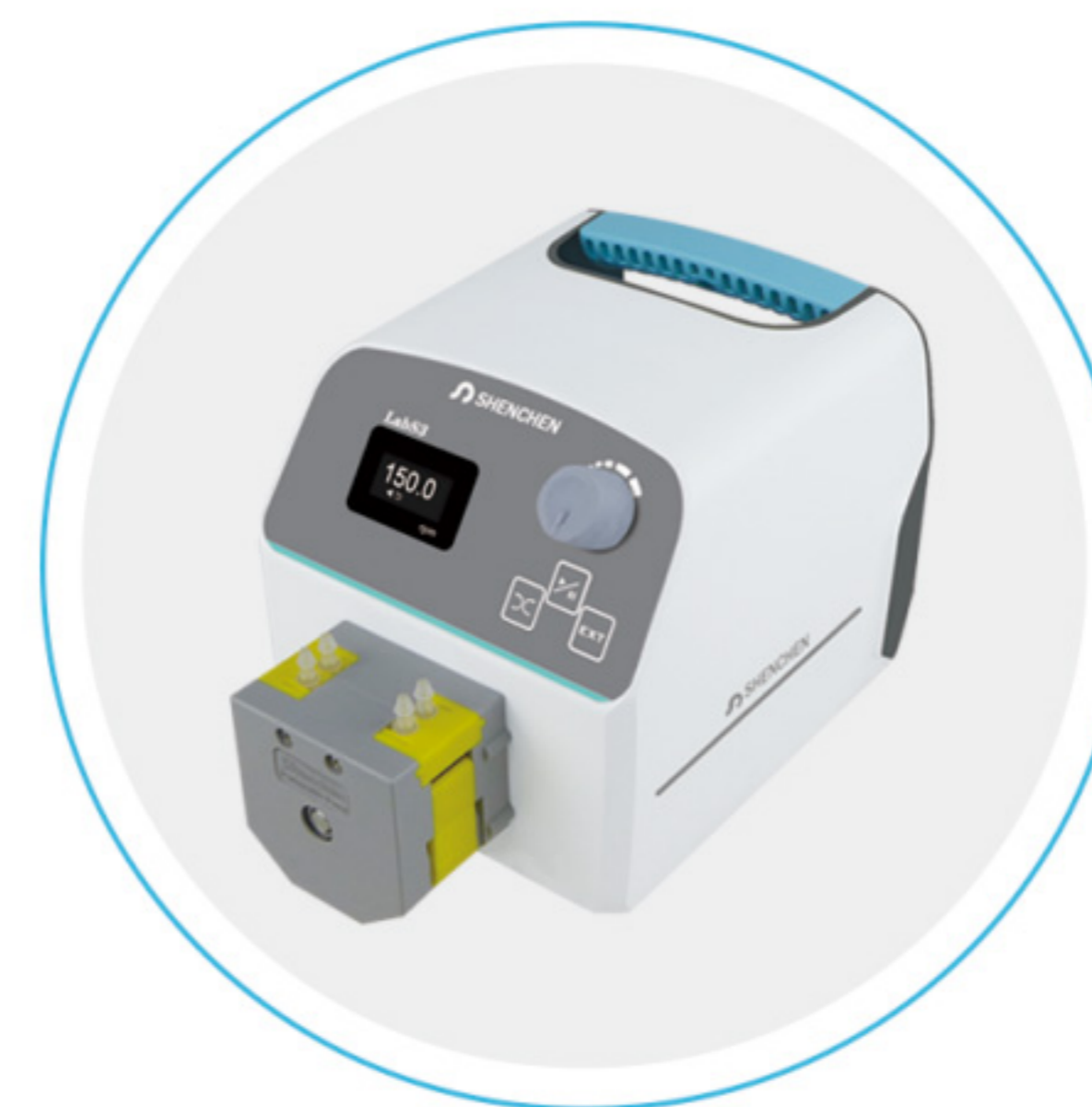
Product Features

- | Low power consumption, mute working.
- | Stable flow rate and suitable for continuous dosing applications.
- | Easy to replace long life PharMed tubing.
- | Digital knob control speed, memory back up, user setting saved if power lost.

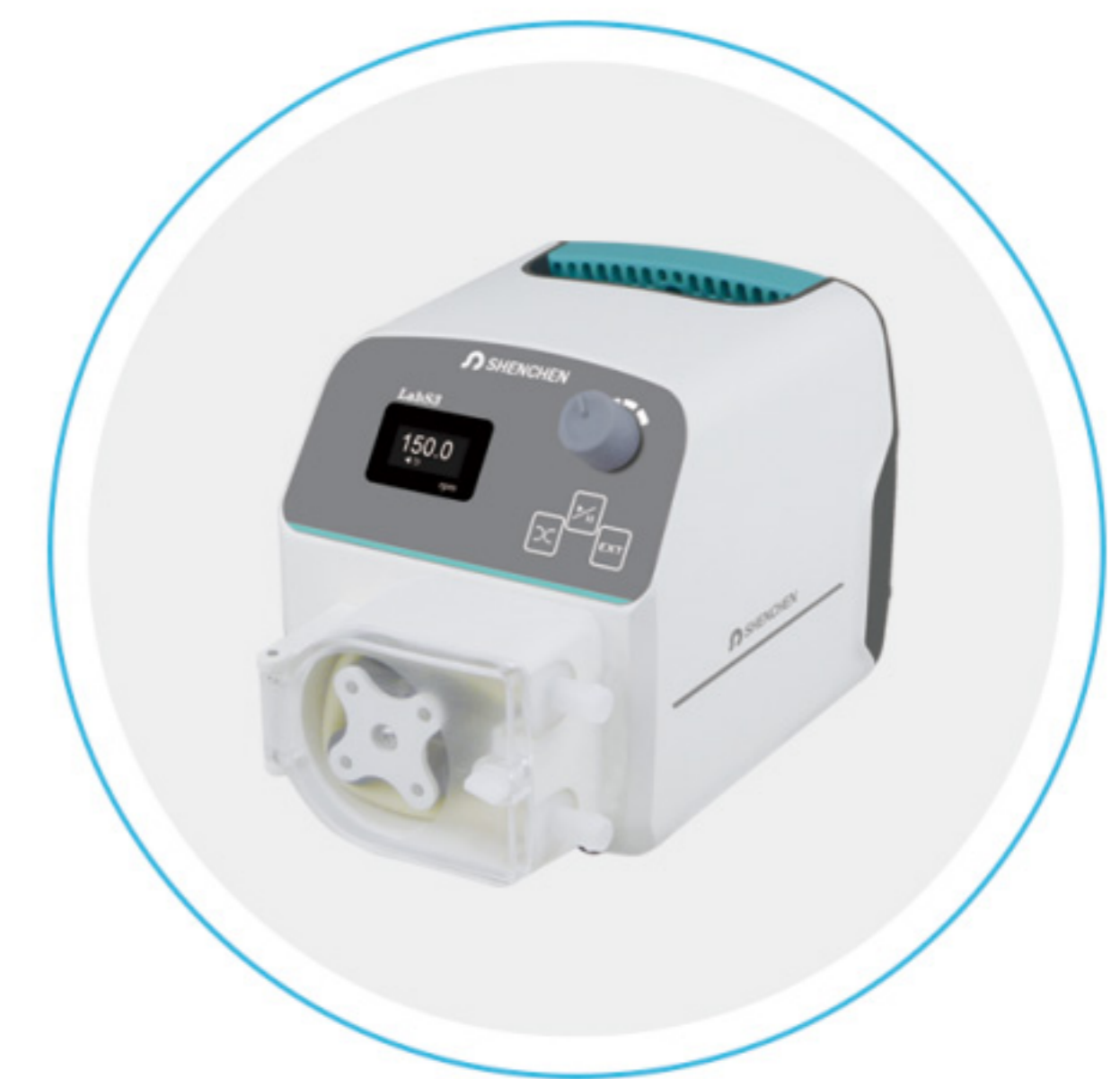
Dimension Drawing (Unit: mm)



Pump Head



Minipump



UD15

Technical Specifications

Flow rate range	0.0024-930mL/min		Communication interface	USB connector, RS485 interface (MODBUS protocol, RTU mode)
Speed range	LabS3/UD15	0.1-350 reversible	External control	Start/stop direction control (switch signal) , 0-5V, 4-20mA (standard), 0-10V (optional)
	LabS3/Minipump	0.1-300 reversible		
Speed resolution	0.1rpm		Power supply	DC 24V/1A with power adapter
Speed control	Digital knob		Dimension	190×128.3×135mm (L×W×H)
Control method	Mechanical keypad		Weight	800g
Keypad lifetime	300,000 times		Condition temperature	0-40°C
Display	0.96" OLED display		Relative humidity	< 80%
IP rate	IP31			

Product Composition and Flow Rate Range

Model	Pump Head	Speed(rpm)	Tubing Size	Flow Rate Range(mL/min)
LabS3	UD15	0.1-350	16#, 17#, 25#	0.08-930
	Minipump	0.1-300	1×1, 2×1, 2.5×1, 3×1, 13#, 14#, 19#, 16#, 25#	0.0024-190

