



# Flow Rates Peristaltic Pump

Model No. : N6-30L/DZ45-I, N6-30L/DZ45-II

Flow Rate : 0.6-1800L/h



## Product Features

- 3.2" LCD screen display both flow rate and motor speed.
- Keypad and digital knob control, easy operation.
- Various external control interface, support RS232/RS485 communication.

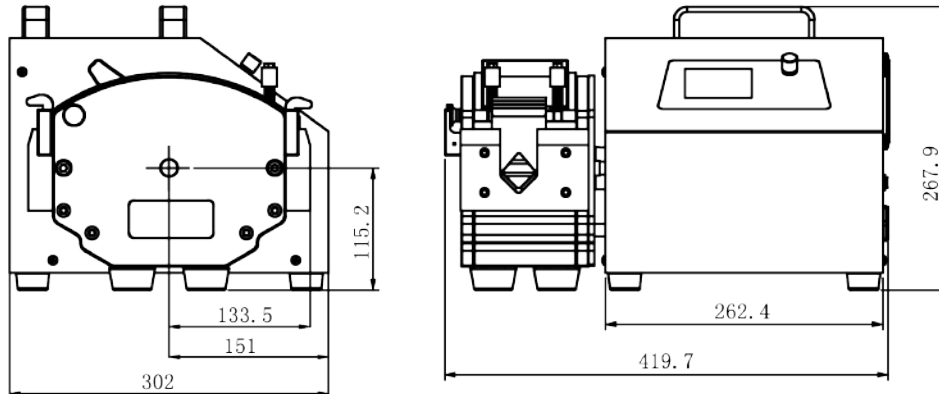
## Technical Specifications

Flow rate range	0.6~1800L/h	Output interface	Output motor working status (Open-Collector output)
Speed range	0.1-300 rpm	Power supply	AC 220V±10% 50Hz/60Hz (standard) AC 110V±10% 50Hz/60Hz (optional)
Flow rate accuracy	<±0.5%		
Speed resolution	0.1rpm	Power consumption	<300W
Fixed time dispensing Function	0.1s~9999h	Communication interface	RS232, RS485 support MODBUS protocol(RTU mode)
Back suction angle	0-360°		
Control method	Mechanical keypad+Digital knob	Motor type	AC 220V±10% 50Hz/60Hz (standard)
Display	3.2" high definition LCD screen	Copy numbers	AC 110V±10% 50Hz/60Hz (optional)
Start/stop,direction signal	Passive switch signal, such as foot pedal switch ; Active switch signal: 5V, 12V and 24V for option	Drive dimension	262.4×302×267.9mm (L×W×H)
		Drive weight	13.5kg
External speed control signal	0-5V,0-10V,4-20mA for option	Condition temperature	0-40°C
		Relative humidity	<80%

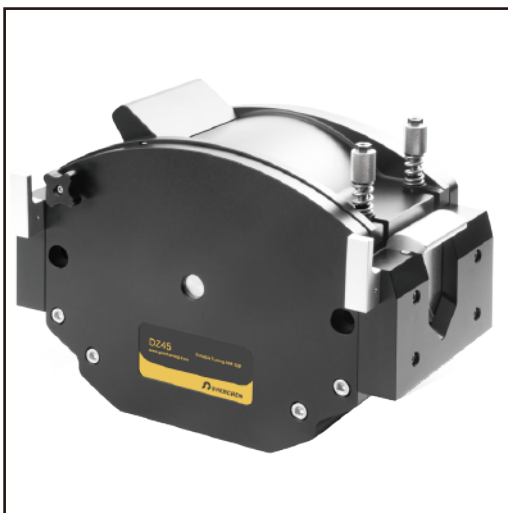
Drive	Motor Type	Pump Head	Tubing Size	Speed Range(rpm)	Flow Rate(L/h)
N6-30L/DZ45	Closed-loop stepper motor	DZ45	88#, 92#	0.1~300	0.6-1800



### Dimension Drawing (Unit:mm)



## DZ45 Pump Head



### Roller Components



### Product Introduction

DZ45 pump head, aluminum alloy shell, 304 stainless steel roller assembly. Four rollers design, low pulsation. Planetary gear roller, driven rotor.

### Product Features

- Long service life of tube: The rollers of the planetary gears are powered by self-transmission, rolling friction with the tube, extending the service life of the tube.
- High torque, shock resistant: Planetary gears have multiple contact surfaces, multiple gear surfaces receive shock loads evenly across 360°, make the load on each gear smaller and can accept higher torque shock.
- Running smoothly: The unique multi-point uniform fit in planetary gear combinations, and our company's gear processing technology is fine grinding, can achieve higher precision positioning and make it run smoothly.



DZ45-I tubing with connector



DZ45-II continuous tubing